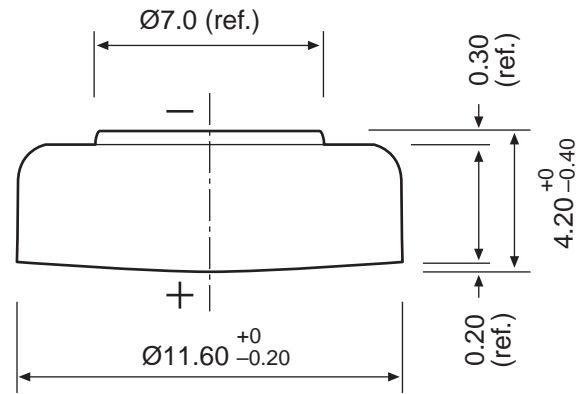


GP Batteries

Data Sheet

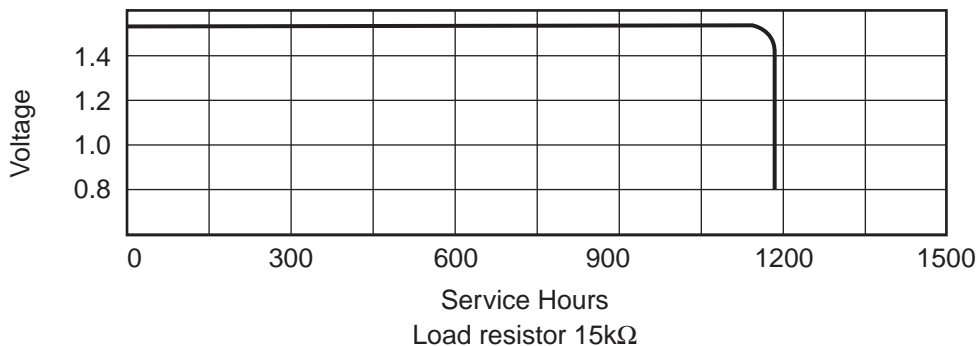
Model No.: GP301

Description : Silver Oxide Low Drain Button Cell
 Nominal Voltage : 1.55 Volts
 Nominal Dimensions : Ø11.60 X 4.20mm
 Applications : Watch (with alarm and lamp),
 calculator, electronic toy, etc.
 Average Weight : 1.7g
 Shelf Life : Not less than 90% of the service
 capacity, following 1st year storage
 at 20°C
 Date Code : Unless otherwise specified, each
 cell will carry a numeric year code
 and an alphabetical month code.
 Nominal Service Life : 1200 hrs (15kΩ Load)
 (to 1.2V at 20°C) 160 days (50kΩ Load)



Unit : mm

Typical Discharge Characteristics at 20°C



Average Service Capacity:
 120 mAh (rated capacity at 15kΩ load,
 cut off voltage 1.2V at 20°C)

Close circuit voltage:
 1.40 Volts (min.) (load resistor 2kΩ at
 20°C for 1 to 2 seconds)

Cross Reference:

IEC	JIS	EVEREADY	VARTA	DURACELL	PANASONIC	SONY
SR43	SR43	301	V301	D301	SP301	SR43W