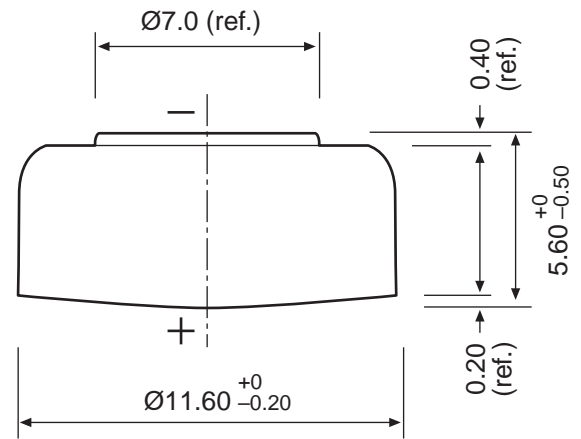


# GP Batteries

**Data Sheet**

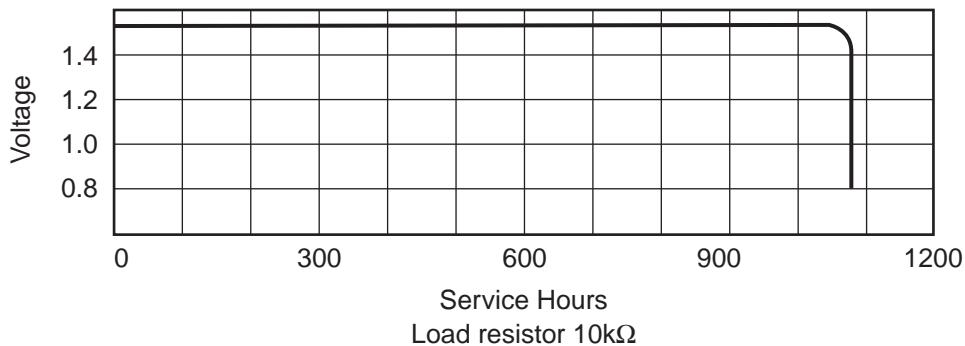
**Model No.: GP303**

Description : Silver Oxide Low Drain Button Cell  
 Nominal Voltage : 1.55 Volts  
 Nominal Dimensions :  $\varnothing 11.60 \times 5.60$ mm  
 Applications : Watch (with alarm and lamp),  
 calculator, electronic toy, etc.  
 Average Weight : 2.5g  
 Shelf Life : Not less than 90% of the service  
 capacity, following 1st year storage  
 at 20°C  
 Date Code : Unless otherwise specified, each  
 cell will carry a numeric year code  
 and an alphabetical month code.  
 Nominal Service Life : 1650 hrs (15k $\Omega$  Load)  
 (to 1.2V at 20°C) 230 days (50k $\Omega$  Load)



Unit : mm

## Typical Discharge Characteristics at 20°C



Average Service Capacity:  
 165 mAh (rated capacity at 10k $\Omega$  load,  
 cut off voltage 1.2V at 20°C)

Close circuit voltage:  
 1.30 Volts (min.) (load resistor 200 $\Omega$  at  
 20°C for 1 to 2 seconds)

## Cross Reference:

IEC	JIS	EVEREADY	VARTA	DURACELL	PANASONIC	SONY
SR44	SR44	303	V303	D303	SP303	SR44SW