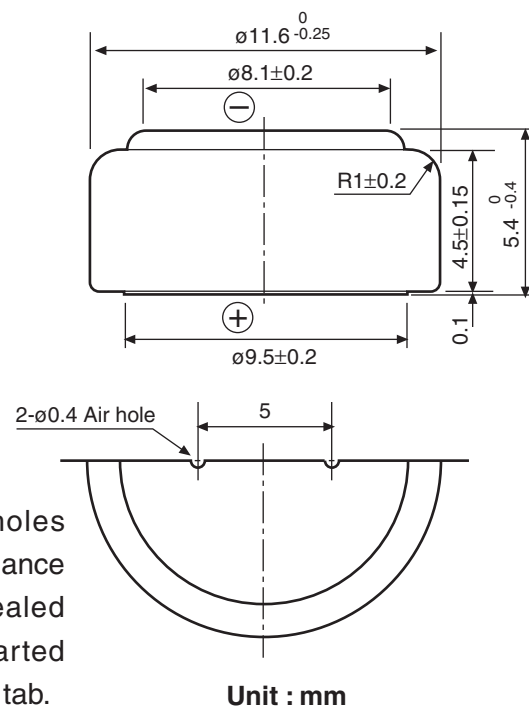


# GP Batteries

**Data Sheet**

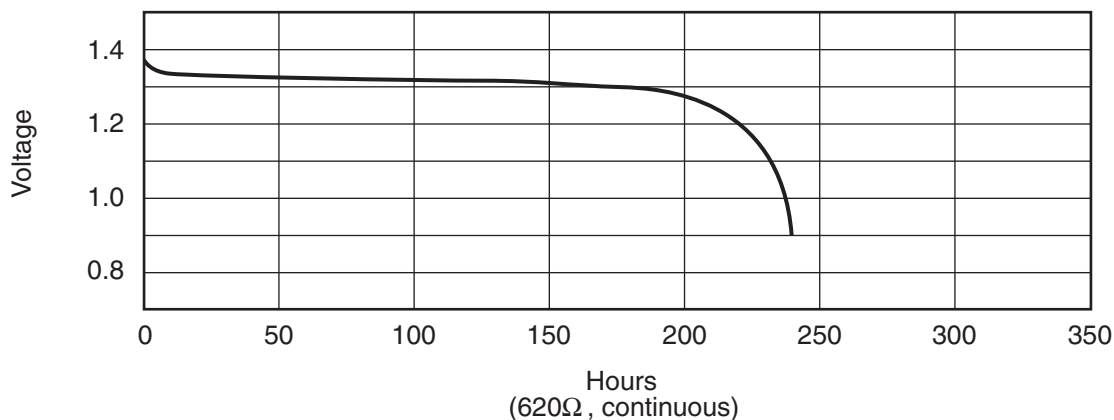
**Model No.: GPZA675**

Description : Zinc Air Button Cell  
 Nominal Voltage : 1.40 Volts  
 Maximum Dimensions : Ø11.6 x 5.4mm  
 Materials of ⊕ case terminal : Ni plated SUS  
 Materials of ⊖ cap terminal : Ni/SUS/Cu clad plate  
 Application : Hearing aid  
 Typical Weight : 1.8g  
 Standard Capacity : 620mAh (620Ω to 0.9V at 20°C)  
 Storage loss at 20°C : < 2% at 1 year  
 Operating Temperature : -18°C to 50°C



**Note** : When in use, the air access holes must remain uncovered. All performance data refers to storage in the sealed condition and electrical tests started 10 minutes after removal of sealing tab.

## Typical Discharge Curve



**Service Life:**  
 225hrs (rated at 620Ω load, continuous,  
 cut off voltage 0.9V at 20°C)

## Cross Reference:

IEC	ANSI/NEDA	Eveready	Varta	Duracell	Rayovac
PR44	7003ZD	AC675E	V675	DA675X	675A